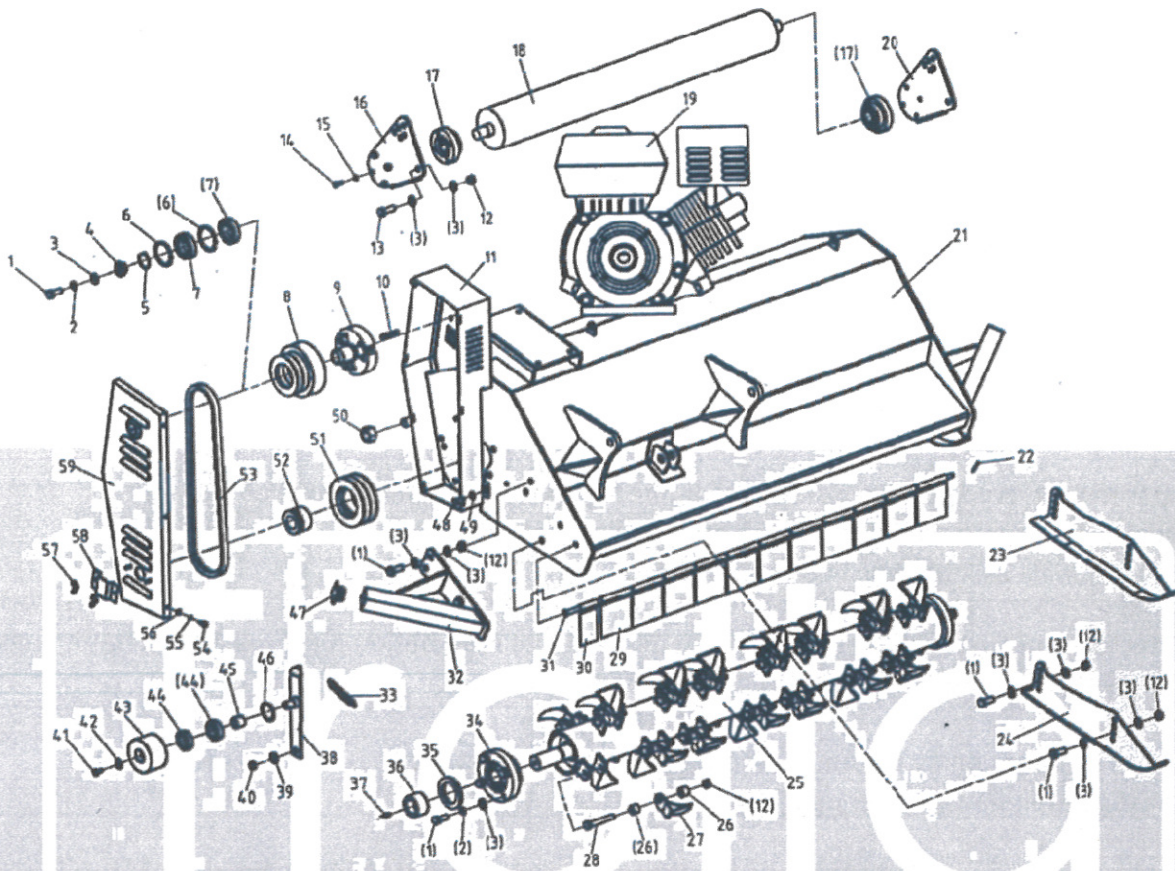


ATV Flail Mower Assembly



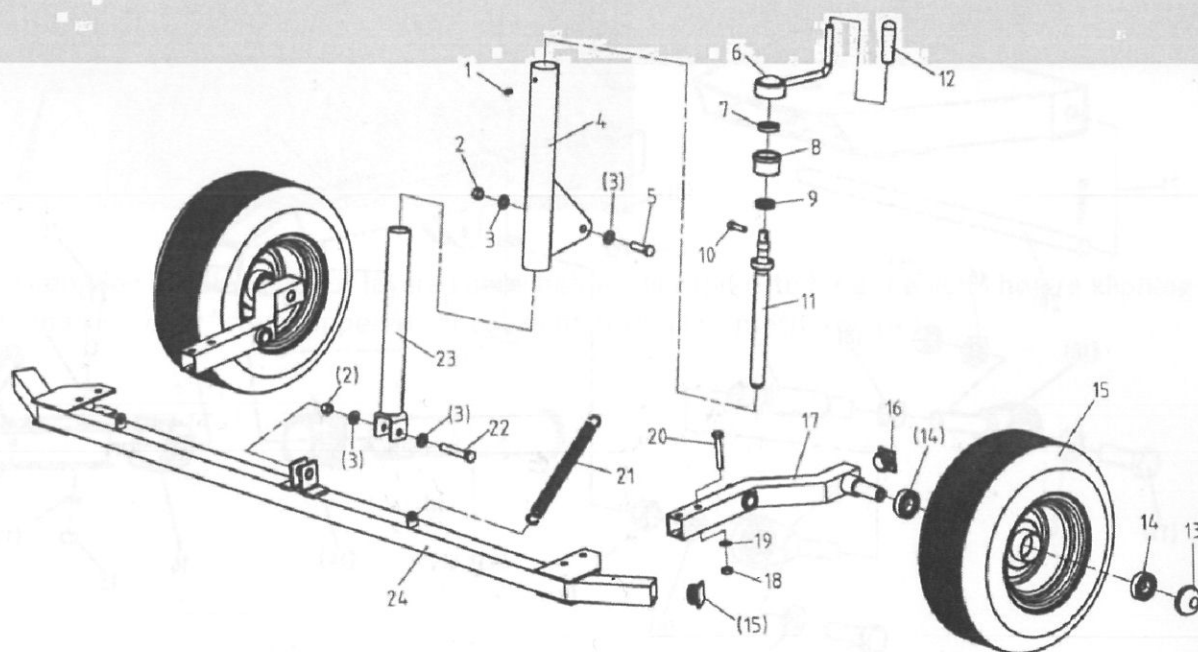
Stykliste

| | Part | Betegnelse | Antal |
|----|---------------|----------------------------|-------|
| 1 | GB5783-86 | Bolt M12x30 | 19 |
| 2 | GB93-87 | Fjederskive 12 | 9 |
| 3 | GB97.1-85 | Flad skive 12 | 37 |
| 4 | MFP120.00.106 | Støvring | 1 |
| 5 | GB894.1-85 | Låsering 35 | 1 |
| 6 | GB893.1-86 | Låsering 62 | 2 |
| 7 | GB278-89 | Leje 6007Z | 2 |
| 8 | MFP120.00.152 | Remskive/ Slyngkobling | 1 |
| 9 | MFP120.00.017 | Slyngkobling | 1 |
| 10 | GB1096-79 | Kile | 1 |
| 11 | MFP120.00.018 | Kielremshus | 1 |
| 12 | GB6184-86 | Låsemøtrik M12 | 42 |
| 13 | GB5783-86 | Bolt M12x35 | 4 |
| 14 | GB5783-86 | Bolt M8x20 | 8 |
| 15 | GB93-87 | Fjederskive 8 | 8 |
| 16 | MFP120.00.155 | Plade for rulle (H) | 1 |
| 17 | EF100.00.012 | Bæring for rulle UC205 | 2 |
| 18 | RK120.017 | Rulle | 1 |
| 19 | JF390 | Benzinmotor | 1 |
| 20 | MFP120.00.156 | Plade for rulle (v) | 1 |
| 21 | MFP120.00.012 | Maskinkrop | 1 |
| 22 | GB91-86 | Split pin 4x28 | 1 |
| 23 | MFP120.00.026 | Justerings plade (V) | 1 |
| 24 | MFP120.00.025 | Justerings plade (H) | 1 |
| 25 | RK120.020 | Blade aksel | 1 |
| 26 | EF100.00.101 | Styr | 56 |
| 27 | RK120.114a | Slagler | 28 |
| 28 | GB5782-86 | Bolt M12x80 | 28 |
| 29 | EF100.00.122 | Stenstopperplade | 12 |
| 30 | EF100.00.121 | Stenstopperplade | 1 |
| 31 | MFP120.00.109 | Aksel for stenstopperplade | 1 |
| 32 | MFP120.00.024 | Beskyttelsevinkel | 2 |
| 33 | MFP120.00.116 | Kielrems strammer | 1 |
| 34 | UC207-Z | Leje hus 90.207 | 2 |
| 35 | GB13871-94 | Oil seal FB55x80x8 | 2 |
| 36 | RK120.109 | Fedtpakning | 2 |
| 37 | GB1152-89 | Smørekop M8x1 | 1 |
| 38 | MFP120.00.036 | Strammerarm | 1 |
| 39 | GB97.1-85 | Plan skive 10 | 1 |
| 40 | GB6184-86 | Låsemøtrik M10 | 1 |
| 41 | GB5783-86 | Bolt M8x16 | 1 |
| 42 | GB96-85 | Flad skive 8 | 1 |
| 43 | MFP120.00.153 | Strammer | 1 |
| 44 | GB279-88 | Leje 180.105 | 2 |
| 45 | MFP120.00.154 | Afstandsring | 1 |
| 46 | GB893.1-86 | Låsering 47 | 1 |
| 47 | MFP120.00.101 | Dæk | 2 |
| 48 | GB5783-86 | Bolt M8x25 | 2 |
| 49 | GB97.1-85 | Plan skive8 | 2 |
| 50 | GB6184-86 | Låsemøtrik M20 | 2 |
| 51 | MFP120.00.107 | Remskive | 1 |
| 52 | JB/T7934Z3 | For remskive | 1 |
| 53 | GB12732 | Kileremme 1067 | 2 |
| 54 | GB5783-86 | Bolt M6x16 | 7 |
| 55 | GB93-87 | Fjederskive 6 | 7 |
| 56 | GB97.1-85 | Plan skive 6 | 7 |
| 57 | GB62-88 | Butterfly møtrik M6 | 2 |
| 58 | MFP120.00.111 | Dækplade | 1 |
| 59 | | Dæksel til kielremshus | 1 |

Stykliste Hjul

| | Part | Betegnelse | Antal |
|----|-----------------|------------------------|-------|
| 1 | GB1152-89 | Smørekop M6 | 1 |
| 2 | GB6170-86 | Låsering N12 | 2 |
| 3 | GB97.1-85 | Plan skive 12 | 4 |
| 4 | MFP120.00.038-A | Beskyttelses rør | 1 |
| 5 | GB5783-86 | Bolt M12x35 | 1 |
| 6 | MFP120.00.039 | Håndtag | 1 |
| 7 | GB276-94 | Skive 61.904 | 1 |
| 8 | TR200.00.123 | Sæde for do | 1 |
| 9 | GB301-95 | Skive 51.104 | 1 |
| 10 | GB70-85 | Skrue M8x30 | 1 |
| 11 | TR200.00.120 | Spindel | 1 |
| 12 | MFP120.00.176 | Håndtag | 1 |
| 13 | MFP120.00.148 | Endedæksel | 2 |
| 14 | GBT278-94 | Leje 80.205 | 4 |
| 15 | MFP120.00.016 | Dæk | 2 |
| 16 | MFP120.00.101 | Beskyttelsehætte | 4 |
| 17 | MFP120.00.027 | Støtte beslag for hjul | 2 |
| 18 | GB889-86 | Møtrik M10 | 4 |
| 19 | GB97.1-85 | Plan skive 10 | 4 |
| 20 | GB5782-86 | Bolt M10x65 | 4 |
| 21 | MFP120.00.115 | Dæmper | 2 |
| 22 | GB5782-86 | Bolt M12x70 | 1 |
| 23 | MFP120.00.037-A | Højdejustering | 1 |
| 24 | ATV120.028 | Bagvange | 1 |

Wheel Partment Assembly



Stykliste trækstang

| | Part | Betegnelse | Antal |
|----|-----------------|----------------------|-------|
| 1 | ATV120.013 | Konsol for trækstang | 1 |
| 2 | GB5782-86 | Bolt M16x80 | 1 |
| 3 | GB97.1-85 | Plan skive16 | 3 |
| 4 | GB184-86 | Låsemøtrik M16 | 1 |
| 5 | GB5782-86 | Bolt M20x90 | 1 |
| 6 | GB97.1-85 | Plan skive20 | 5 |
| 7 | GB93-87 | Fjederskive 20 | 1 |
| 8 | GB6170-86 | Møtrik M20 | 2 |
| 9 | ATV120.00.015 | Trækstang | 1 |
| 10 | GB5782-86 | Bolt M12x80 | 2 |
| 11 | GB97.1-85 | Plan skive 12 | 4 |
| 12 | GM8835 | Kuglekobling | 1 |
| 13 | GB6184-86 | Låsemøtrik M12 | 2 |
| 14 | 7CB-0.25-131 | Aksel kappe | 2 |
| 15 | 7CB-0.25-129 | Rør for trækstang | 1 |
| 16 | GB6184-86 | Låsemøtrik M20 | 2 |
| 17 | GB5783-86 | Bolt M20X65 | 2 |
| 18 | MFP120.00.014-1 | Kuglegaffel | 1 |
| 19 | MFP120.00.014-2 | Spindel | 1 |
| 20 | MFP120.00.102 | Pin aksel | 1 |
| 21 | GB91-86 | Split pin 5x32 | 2 |

Traction Assembly

